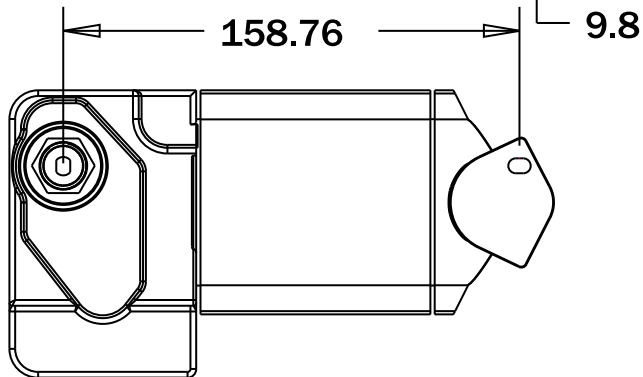


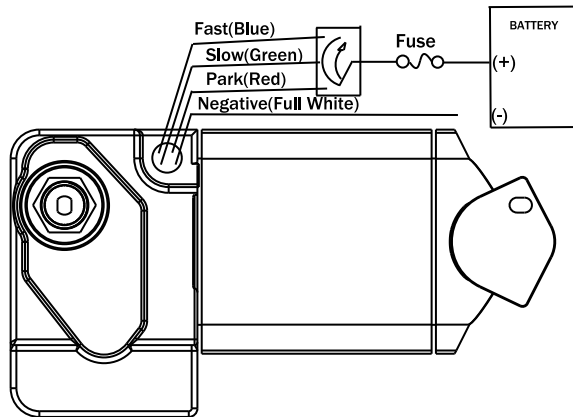
M16x1.0



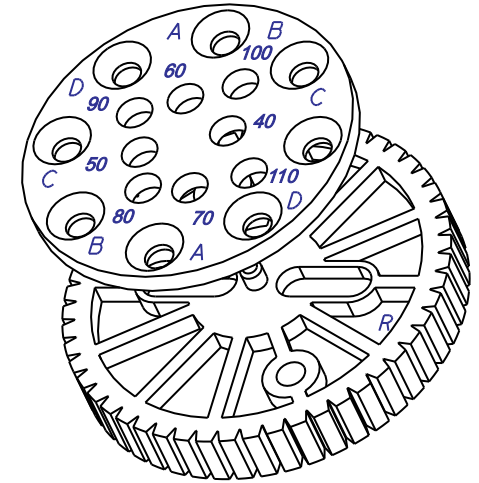
Wiper Motor Torque : 15 Nm  
 Two Speed  
 Isolated Ground Type  
 IP Rate : 66  
 Pivot : L=1" (25.4mm), 2" (50.8mm), 3" (76.2mm)

### MOTOR SPECIFICATIONS

	Part No.	169511-12CE	169511-24CE
	Voltage	12V	24V
	Range of voltage	12V + 10%	24V + 10%
	Self-Parking	Yes	Yes
Without Load	Torque	18.5 Nm	18.1 Nm
	Current	1.2A	0.62A
	Speed	Fast 63   Slow 42	Fast 61   Slow 41
Working Load	Current	1.2A ~ 3.5A	0.62A ~ 1.83A
	Speed	Fast 57   Slow 39	Fast 55   Slow 39
Blocked Spindle	Torque	16.8 Nm	16.6 Nm
	Current	11.2 A	6.01A



Different Angle & Parking Configurations.  
 To be adjusted when motor is stopped in parking pos.



Angle/Park Hole Pos.

40/R	D	1
40/L	D	2
50/R	D	2
50/L	D	2
60/R	B	2
60/L	B	1
70/R	B	1
70/L	B	2
80/R	C	2
80/L	C	1
90/R	A	2
90/L	A	1
100/R	C	1
100/L	C	2
110/R	A	1
110/L	A	2

Scale	1:1				
Projection					
Unit	mm	Part Name			
Approved	D.C. Lu				
Designer	D.C. Lu	Material			
Drawn	Kelly Lu	Quantity	Drawing Number	A78-0001	